

FLOATING SUCTIONS

Series 1502

Technical specifications

silea Liquid Transfer Srl



The 1502 serie Floating Suctions are used on above ground vertical tanks and allow suction to be always near the surface where the liquid is cleaner and hydrocarbons do not contain water that settles in the bottom of the tank. Main applicaton is on Aviation Fuels and the floating suctions are built with compatible materials.

Standard configuration.

- **F-40 style In-let Swivel Joint** : carbon steel or aluminium or stainless steel with ANSI flange to match the tank nozzle. It is double ball bearing type, Viton seals
- **Main pipe** in aluminium alloy is tailor made to the tank dimensions.
- **Bell-mouth**:built in aluminium, it is designed to face always downwards to avoid vortex formation and is equipped with a stainless steel screen strainer. On wider sizes an end-pipe replaces the bell-mouth. Adjustable spacers keep the bell-mouth and a minimum height from the bottom of the tank to limit suction of impurities or water.
- **Float** single or double, made of aluminium with stainless steel screws. The float is designed to keep the bell mouth always under the liquid, to avoid the floating suction to get empty
- **Inspection cable** in stainless steel

Laws and regulations

- **94/9/CE** Directive, named **ATEX**.
- **97/23/CE** Directive, named **PED**.
- Customs declaration for Russia, Kazakhstan, Belarus, **EAC certification**.
- Standard **API-ASTM-ANSI-TTMA**.

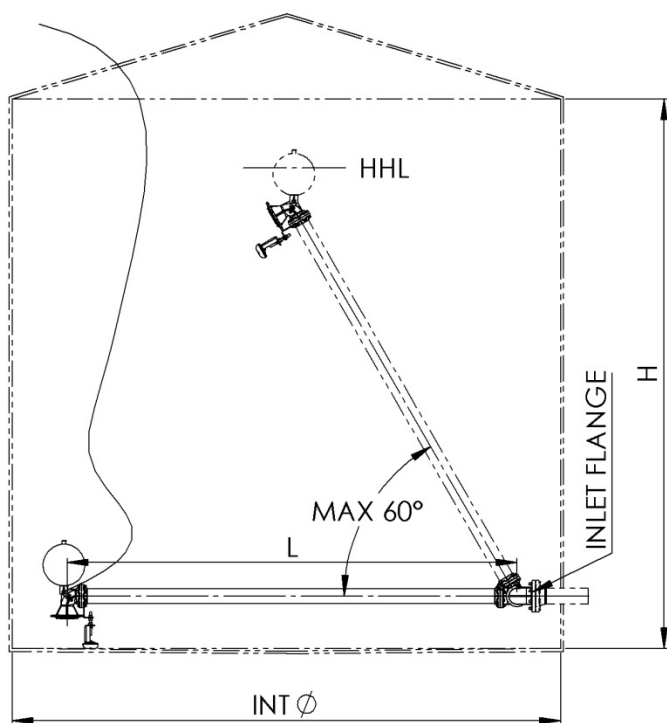


Technical features

Nominal diameter		1 ½"	2"	3"	4"	6"	8"	10"	12"	14"	16"	18"	20"	24"	28"
Fluid type		Hydrocarbons													
Nominal flow rate [flow speed: 2 m/s]	m³/h	9	15	30	60	120	270	420	600	715	930	1200	1400	2080	2700
	l/min	150	250	500	1000	2000	4500	7000	9900	1200	15500	19700	23500	34600	46000
Design temperature		-15°C / +65°C													
Design pressure		Balanced													
Test pressure		3 bar													
Min man hole		16"		20"			24"			32"			40"		

- Level Gauge to control level in the tank.
- Sampling System

- **Special end pipe**, instead of the bell mouth.
- **Arm material**: carbon steel, stainless steel AISI 304 or AISI 316.



Dimensions of the floating suction will be customized by Silea LT Engineering



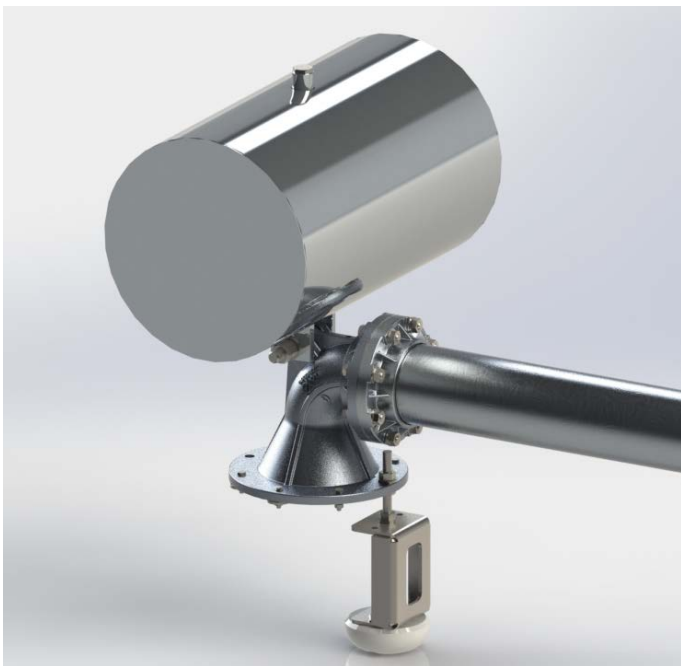
Series 0878 Swivel is made with a male and a female TTMA flanged elbows from 3'' to 6'' and PN10 from 8'' to 28''

Standard documentation

- Declaration of conformity to regulations
- Declaration of material conformities and functional test (CCC)
- Operation and maintenance manual (MUM)

Documentation on request

- **Welding file (WB):**
 - Welding map (WM)
 - Welding qualification (PQR)
 - Welding specifications (WPS)
 - Welder qualification (WQ)
 - Penetrant liquids test
 - Radiographs of welding heads
- **Materials specifications map (MIM):**
 - Certification 3.1 EN 10204 for steel
 - Certification 2.2 EN 10204 for aluminium
- **Quality complete plan (QCP):**
 - Welding dossier (WB)
 - Materials identification map (MIM)
 - Manufacturing plan



Series 3117 aluminium Bell-mouth , with stainless steel strainer