

FLOATING SUCTIONS

Series 1501

Technical specifications

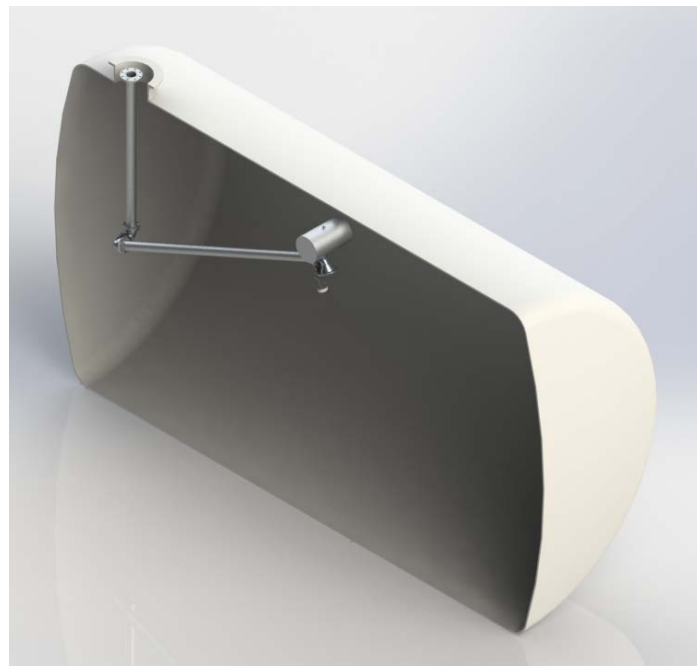
silea Liquid Transfer Srl



The 1501 serie Floating Suctions are used on underground horizontal tanks and allow suction through the manhole to be always near the surface where the liquid is cleaner and hydrocarbons do not contain water that settles in the bottom of the tank. Main applicaton is on Aviation Fuels and the floating suctionns are built with compatible materials.

Standard configuration

- **Vertical suction pipe** in aluminium alloy.
- **F-40 style Swivel Joint** : carbon steel or aluminium or stainless steel. It is double ball bearing type, Viton seals
- **Main pipe** in aluminium alloy.
- **Bell-mouth**:built in aluminium, it is designed to face always downwards to avoid vortex formation and is equipped with a stainless steel screen strainer Adjustable spacers keep the bell-mouth and a minimum height from the bottom of the tank to limit suction of impurities or water.
- **Float** single or double, made of aluminium with stainless steel screws. The float is designed to keep the bell mouth always under the liquid, to avoid the floating suction to get empty
- **Lifting cable** in stainless steel



Technical features

Nominal diameter		1 ½"	2"	3"	4"	6"
Fluid type		Hydrocarbons				
Nominal flow rate [flow speed: 2 m/s]	m ³ /h	9	15	30	60	120
	l/min	150	250	500	1000	2000
Design temperature		-15°C / +65°C				
Design pressure		Balanced				
Test pressure		3 bar				
Min man hole		16"		20"		
Ø in. Tank (m)	min	2,0				
	max	4,0				

Laws and regulations

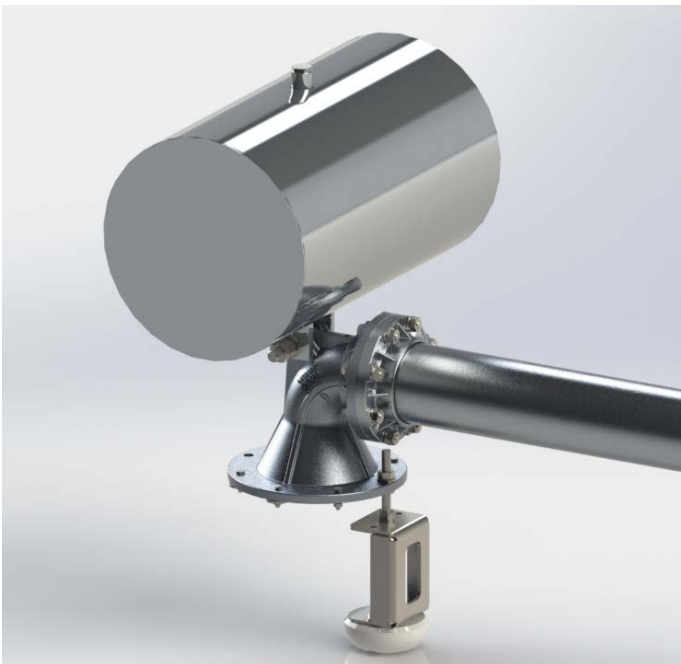
- **94/9/CE** Directive, named **ATEX**.
- **97/23/CE** Directive, named **PED**.
- Customs declaration for Russia, Kazakhstan, Belarus, **EAC certification**.
- Standard **API-ASTM-ANSI-TTMA**.

Accessories

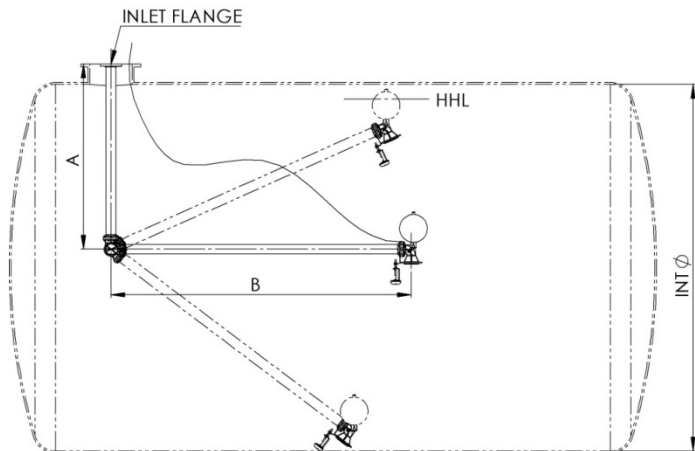
- **Foot valve** made of aluminium or made of stainless steel. It is used to keep the pump primed

Options upon request

- **Floating Suction material** : made of carbon steel, stainless steel AISI 304 or AISI 316.
- **Special end pipe**, to replace the bell-mouth.



Series 3117 aluminium Bell-mouth , with stainless steel strainer



Dimensions in mm

A = 2000 (Std)

B = 3000 (Std)

Dimensions can be customized

Standard documentation

- Declaration of conformity to regulations
- Declaration of material conformities and functional test (CCC)
- Operation and maintenance manual (MUM)

Documentation on request

- **Welding file (WB):**
 - Welding map (WM)
 - Welding qualification (PQR)
 - Welding specifications (WPS)
 - Welder qualification (WQ)
 - Penetrant liquids test
 - Radiographs of welding heads
- **Materials specifications map (MIM):**
 - Certification 3.1 EN 10204 for steel
 - Certification 2.2 EN 10204 for aluminium
- **Quality complete plan (QCP):**
 - Welding dossier (WB)
 - Materials identification map (MIM)
 - Manufacturing plan



Series 0878 Swivel is made with a male and a female TTMA flangedelbows