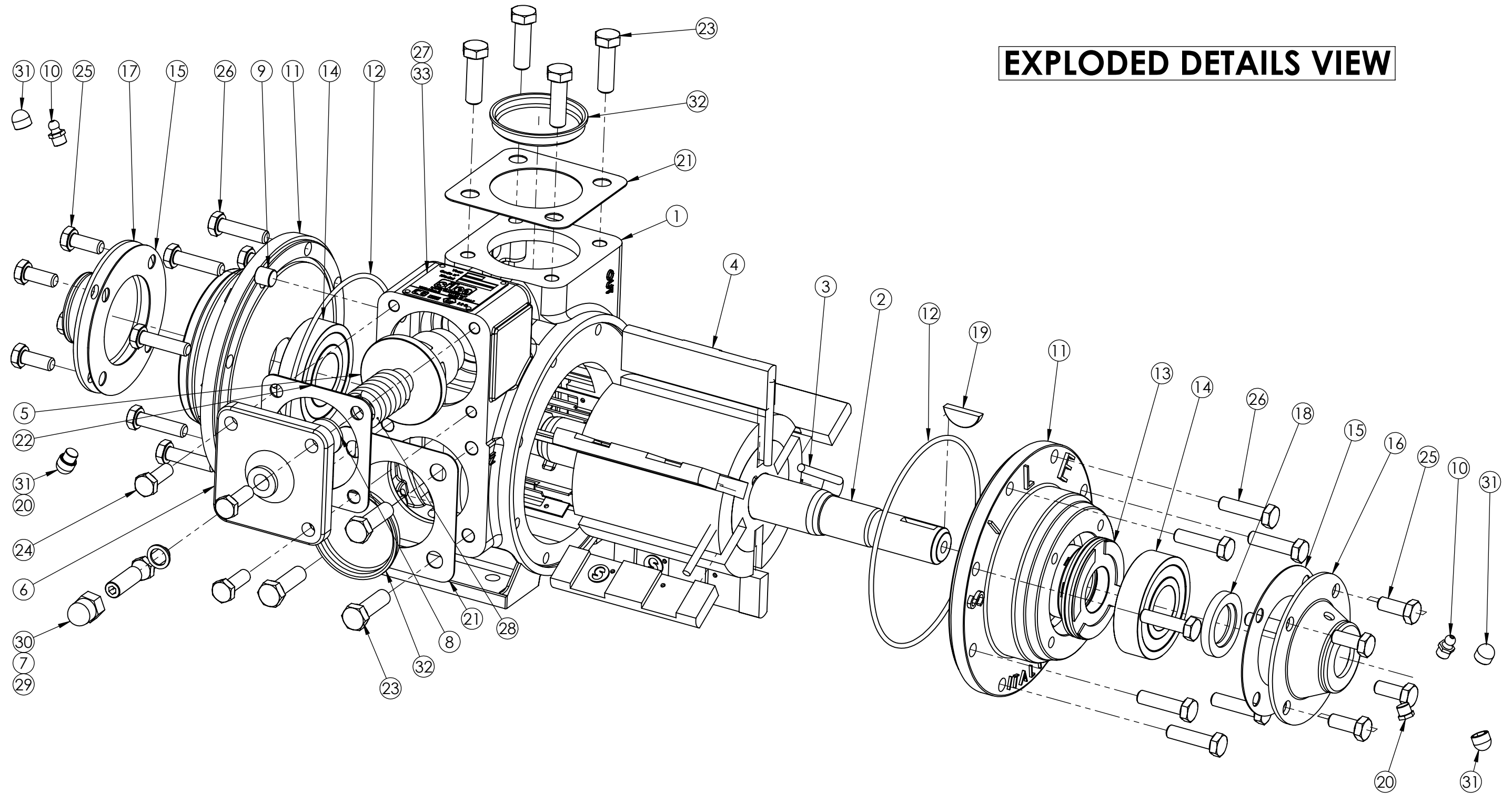



EXPLODED DETAILS VIEW



Remarks :		ITEMS NOT LISTED ARE FOR INTERNAL USE ONLY			
 www.silea.it Liquid Transfer S.r.l.		Description			
		VOLUMETRIC PUMP 2,5" C			
Material		Tratt.Term. o Tratt.Superf.			
CAST IRON		VER 04 RAL 2008			
Rev.	Weight kg	Drawn by	Scale	Date	Code
6	39	Luca Zaccagnini	1:4	10/04/2015	10520102

- PARTS LIST -

- DISTINTA COMPONENTI -

33	TARGHETTA IDENTIFICAZIONE POMPA	1052-0101004	1	0.01	ALLUMINIO
32	TAPPO CILINDRICO d.71	TAPPO-F71	2	0.028	POLIETILENE
31	TAPPO PROTEZIONE INGRASSATORE/SPURGO	1052-0101007	4	0.002	PTFE
30	TAPPO PER VITE DEL BY-PASS 2 1/2" e 3"	1052-0102302	1	0.033	OTTONE
29	GUAR.NE PER TAPPO BY-PASS 2 1/2" e 3"	1052-0102005	1	0.002	RAME
28	MOLLA x BY-PASS 2 1/2" STD (3-5.5 bar)	1052-0102306	1	0.09	C72
27	RIBATTINO 1,9x5 FE ARCOBAL.	0081-2000002	4	0.000	Fe360B
26	VTE M10x40 8.8 UNI EN ISO 4014	0014-1000071	16	0.04	8.8
25	VTE M10x25 8.8 UNI EN ISO 4017	0014-3000065	8	0.03	8.8
24	VTE M10x30 8.8 UNI EN ISO 4017	0014-3000066	4	0.03	8.8
23	VTE M12x40 8.8 UNI EN ISO 4017	0014-3000083	8	0.05	8.8
22	GUAR.NE PER COPERCHIO BY-PASS 2 1/2"	1052-0102002	1	0.012	TENUTA BA UNIT
21	GUAR.NE PER FLANGIA QUADRA 2 1/2"	1052-0102004	2	0.013	ASBESTFREE
20	VALVOLA DI SFIATO 1/8" NPT	1052-0101003	2	0.007	OTTONE
19	LINGUETTA A DISCO UNI 6606-10x13	0100-2000032	1	0.0	ACCIAIO
18	MIM PER TENUTA COPERCHIO 2 1/2"	1052-0102012	1	0.003	NBR
17	COPERCHIO POSTERIORE 2 1/2"	1052-0102204	1	0.000	P 01
16	COPERCHIO ANTERIORE 2 1/2"	1052-0102203	1	0.000	P 01
15	GUAR.NE COPERCHIO 2 1/2" ANT/POST	1052-0102003	2	0.012	ASBESTFREE
14	CUSCINETTO RADIALE PER POMPA 2.5"	1052-0102001	2	0.45	ACCIAIO
13	TENUTA MECC. 2.5" x CARBURANTI	1052-0102400	2	0.3	ACCIAIO+VITON
12	OR PER TESTATA 2 1/2" ANT/POST	0001-2000196	2	0.010	VITON
11	TESTATA 2 1/2" ANTERIORE E POSTERIORE	1052-0102202	2	5.19	GJL 200 EN 1561
10	INGRASSATORE 1/8" NPT	1052-0101002	2	0	ACCIAIO
9	TAPPO GC 1/4" AD ESAGONO INCASSATO	1052-0101001	2	0.01	ACCIAIO
8	GUIDA MOLLA PER BY-PASS DA 2 1/2"	1052-0102303	1	0.02	ACCIAIO
7	VITE DI REGOLAZIONE BY-PASS 2 1/2" e 3"	1052-0102304	1	0.03	ACCIAIO
6	COPERCHIO BY-PASS 2 1/2"	1052-0102301	1	0.68	GJL 200 EN 1561
5	VALVOLA BY-PASS 2 1/2"	1052-0102305	1	0.4	GJL 200 EN 1561
4	PALETTA POMPA SILEA MOD.S-2.5"	1052-0102206	6	0.33	SILEA-VANE
3	SPINA PALETTA 6x70 (cilindrica temprata)	1052-0102007	3	0.02	ACCIAIO
2	ROTORE 2 1/2" CON ALBERO x CARBURANTI	1052-0102100	1	10.46	GHISA+ACCIAIO
1	CORPO POMPA 2 1/2"	1052-0102201	1	12.8	GHISA
Pos	Descrizione	Codice	Q.tà	Peso	Materiale

33	PUMP IDENTIFICATION PLATE	1052-0101004	1	0.01	ALUMINIUM
32	PLUG	TAPPO-F71	2	0.028	PLASTIC
31	GREASE NIPPLE CAP	1052-0101007	4	0.002	PLASTIC
30	2 1/2" AND 3" COVER FOR BYPASS SCREW	1052-0102302	1	0.033	BRASS
29	GASKET 2 1/2" - 3" (BYPASS SCREW COVER)	1052-0102005	1	0.002	COPPER
28	2 1/2" BY-PASS SPRING 3-5.5 bar	1052-0102306	1	0.09	C.S.
27	plate holder	0081-2000002	4	0.000	C.S.
26	HEXAGON HEAD BOLT	0014-1000071	16	0.04	8,8
25	HEXAGON HEAD BOLT	0014-3000065	8	0.03	8,8
24	HEXAGON HEAD BOLT	0014-3000066	4	0.03	8,8
23	HEXAGON HEAD BOLT	0014-3000083	8	0.05	8,8
22	O' RING	1052-0102002	1	0.012	ASBESTFREE
21	2 1/2" SQUARE FLANGE GASKET	1052-0102004	2	0.013	ASBESTFREE
20	1/8" NPT RELIEF VALVE	1052-0101003	2	0.007	BRASS
19	WOODRUFF KEY UNI 6606-10X13	0100-2000032	1	0.0	C.S.
18	MIM RING 2 1/2"	1052-0102012	1	0.003	NBR
17	2 1/2" REAR COVER	1052-0102204	1	0.000	C.S.
16	2 1/2" FRONT COVER	1052-0102203	1	0.000	C.S.
15	GASKET FOR 2 1/2" PUMP COVER	1052-0102003	2	0.012	ASBESTFREE
14	2.5" PUMP RADIAL BEARING	1052-0102001	2	0.45	C.S.
13	2 1/2" MECHANICAL SEAL FOR FUELS	1052-0102400	2	0.3	C.S.+VITON
12	OR	0001-2000196	2	0.010	VITON
11	BACK AND FRONT HEAD 2 1/2"	1052-0102202	2	5.19	MALLEABLE CAST IRON
10	1/8" NPT GREASE NIPPLE	1052-0101002	2	0	C.S.
9	1/4" BLANKING SCREW	1052-0101001	2	0.01	C.S.
8	2.5" SPRING GUIDE FOR BY PASS	1052-0102303	1	0.02	C.S.
7	BY-PASS SCREW 2 1/2" and 3"	1052-0102304	1	0.03	C.S.
6	2 1/2" BYPASS COVER	1052-0102301	1	0.68	MALLEABLE CAST IRON
5	2.5" BY PASS VALVE	1052-0102305	1	0.4	MALLEABLE CAST IRON
4	BLADE FOR 2 1/2" PUMP	1052-0102206	6	0.33	RESIN COMPOUND
3	PUSH BLADE PLUG FOR 2 1/2" PUMP	1052-0102007	3	0.02	C.S.
2	2 1/2" ROTOR WITH SHAFT FOR FUELS	1052-0102100	1	10.46	CAST IRON+C.S.
1	2 1/2" PUMP BODY	1052-0102201	1	12.8	CAST IRON
Pos	Description	Code	Q.ty	Wt	Material

Remarks :

ITEMS NOT LISTED ARE FOR INTERNAL USE ONLY



Description

VOLUMETRIC PUMP 2,5" C

Material

CAST IRON

Tratt.Term. o Tratt.Superf.

VER 04 RAL 2008

Rev.
6

Weight kg
39

Drawn by
Luca Zaccagnini

Scale
1:1

Date
10/04/2015

Code
10520102